

6-12 General Purpose Battery

Technical Specifications

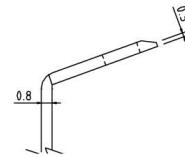
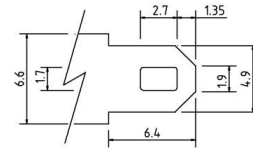
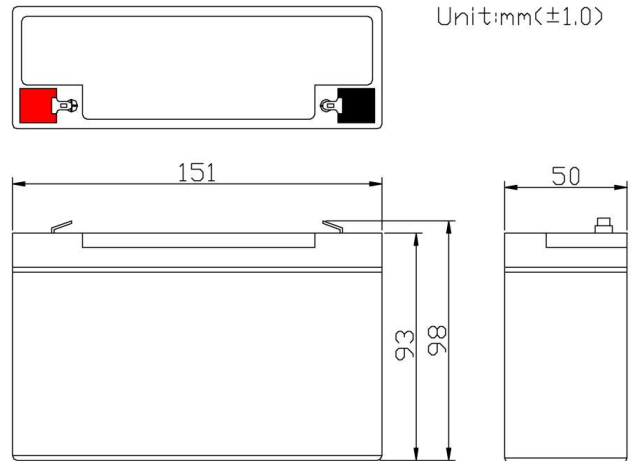
Nominal Voltage	6V
Nominal Capacity	12AH(20HR)
Dimension	
Length	5.94inches(151mm)
Width	1.97inches(50mm)
Height	3.66inches(93mm)
Total Height /w Terminal	3.86inches(98mm)
Weight	Approx 4.09lb(1.86kg)
Standard terminal	Type A/G

Capacity Specifications

Cut Off Voltage		
1.75v/c@25°C	20Hr Rate(0.6A)	12.0AH
1.75v/c@25°C	10Hr Rate(1.15A)	11.5AH
1.75v/c@25°C	5Hr Rate(2.0A)	10.0AH
1.67v/c@25°C	1Hr Rate(8.0A)	8.0AH
1.67v/c@25°C	15Min Rate(24A)	6.0AH

Charging Specifications

		Bloc
Charge Voltage(constant)	Float	6.75~6.90
	Cycle	7.25~7.35
Internal Resistance (Fully Charged Battery)	< 8mΩ	
Discharge Current Amps (5 seconds maximum)	180	
Max. Charge Current	3.6A	
Self Discharge	6 Months@25°C	



Type A Terminal

Actual Current & Wattage Capacity at Various Discharges (Voltage @25°C)

Final Voltage	Time (minutes)											
		5	10	15	30	45	60	180	300	480	600	1200
4.80V	A	54.20	33.27	24.46	14.01	10.24	8.06	3.29	2.12	1.45	1.202	0.648
	W	262.10	177.62	136.46	80.60	58.24	46.45	19.31	12.97	8.56	7.067	3.735
5.01V	A	51.58	32.24	24.00	13.91	10.14	8.00	3.27	2.11	1.44	1.190	0.636
	W	252.80	172.78	134.97	79.68	57.97	46.28	19.25	12.91	8.52	7.048	3.707
5.10V	A	48.58	30.86	23.38	13.72	10.07	7.95	3.24	2.09	1.42	1.174	0.625
	W	241.25	167.30	132.21	78.58	57.47	45.92	19.14	12.84	8.47	7.014	3.675
5.25V	A	44.00	29.14	22.57	13.38	9.92	7.86	3.21	2.00	1.40	1.150	0.600
	W	228.40	158.70	127.86	76.71	56.50	45.31	18.98	12.77	8.42	6.971	3.635
5.40V	A	38.46	27.04	21.40	12.95	9.69	7.73	3.16	1.92	1.37	1.138	0.576
	W	209.16	148.76	121.47	74.02	55.11	44.46	18.74	12.67	8.36	6.922	3.589